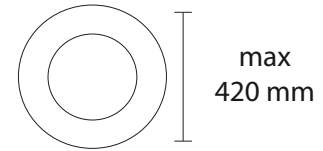
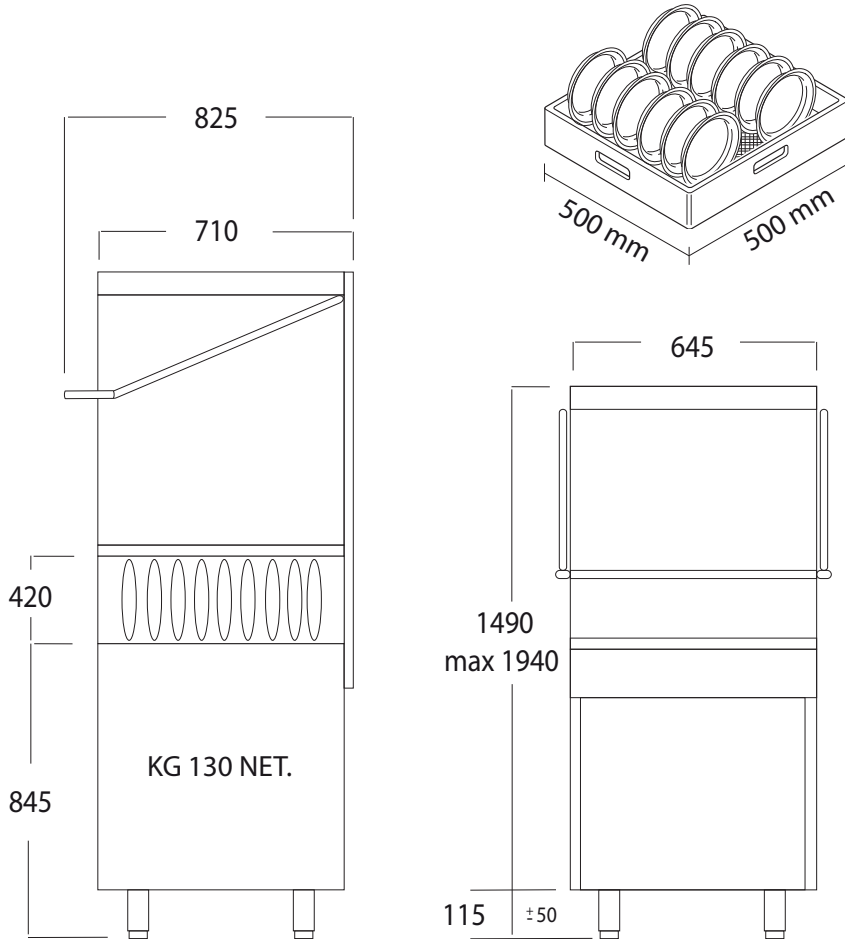
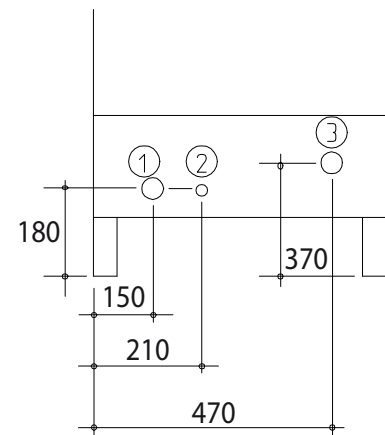


ADLER ECO1000/EVO1000/BS1000


- ① ELECTRICAL CONNECTION/ALIMENTAZIONE ELETTRICA
- ② WATER CONNECTION/ALIMENTAZIONE IDRAULICA
- ③ WATER DRAIN/SCARICO ACQUA



*measures expressed in mm/misure espresse in mm

TECHNICAL SPECIFICATION - SPECIFICHE TECNICHE

Model/Modello	ECO1000/EVO1000/BS1000
Interface Type/Interfaccia	Mechanical/Electronic/Mechanical
Clearance/Passaggio Utile	420 mm
Cycle/Ciclo	1-3 / 1-2-3-4-10 / 1-3 min
Rinse Aid Dispenser/Dosatore Brillantante	✓
Detergent Dispenser/Dosatore Detergente	•
Drain Pump/Pompa Scarico	•
Thermostop System/Sistema Thermostop	✓ only EVO1000
Temperature Display/Display Temperatura	✓ only EVO1000
Smart Self Diagnostics/Diagnostica Smart	✓ only EVO1000
Tank Capacity/Capacità Vasca	20 Lt.
Boiler Capacity/Capacità Boiler	10 Lt.
Tank Heater/Resistenza Vasca	4 kW
Boiler Heater/Resistenza Boiler	9 - 4 kW
Power Supply/Alimentazione Elettrica	400V/3N - 230V/1N
Washing Pump/Pompa Lavaggio	0,75 kW/1hp
Max. Power Rating/Assorbimento Max.	14.2 Amp/9,8 kW 400V/3N 21 Amp/4,8 kW 230V/1N
Inlet Pressure/Pressione di Alimentazione	2 ÷ 5 bar
Weight/Peso	130 Kg
Water Consumption/Consumo Acqua	2,8 Lt./cycle **
Standard Equipment/Dotazione Standard	2 Racks (Univ+Plate) 1 Cutlery Cont.
Hour Production/Produzione Oraria	60 - 18 racks/h * 1080 plates/h *

* inlet water temp./temp. entrata acqua 55°C.
** inlet water pressure/pressione acqua 2 bar.

✓ included/incluso n/a not available/non disponibile
• optional

