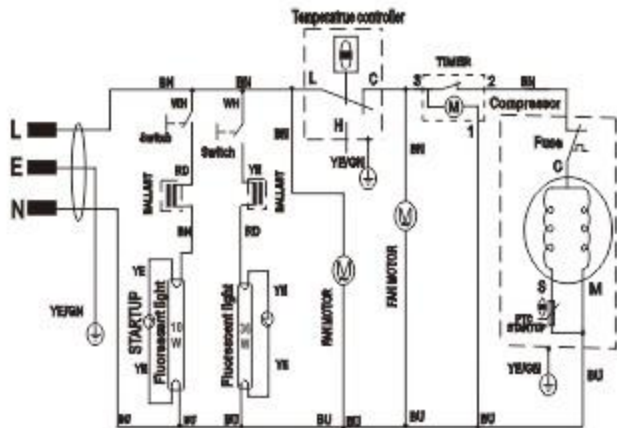


UPRIGHT DISPLAY COOLER

CIRCUIT DIAGRAM



CB **CE**

MODEL	SL-P380WA
CLIMATIC CATEGORY	0,1,2,3,4,6,7
PROTECTIVE CLASSIFICATION OF ELECTRIC SHOCK RESISTANCE	I
DEGREE OF PROTECTION AGAINST INGRESS OF WATER	IP X0
RATED VOLTAGE	220-240V~
RATED FREQUENCY	50Hz
TOTAL CAPACITY	380L
RATED INPUT POWER	310W
RATED CURRENT	2.0A
REFRIGERANT	R134a(120g)
ENERGY CONSUMPTION	2.3KW.h/24h
NET WEIGHT	78kg