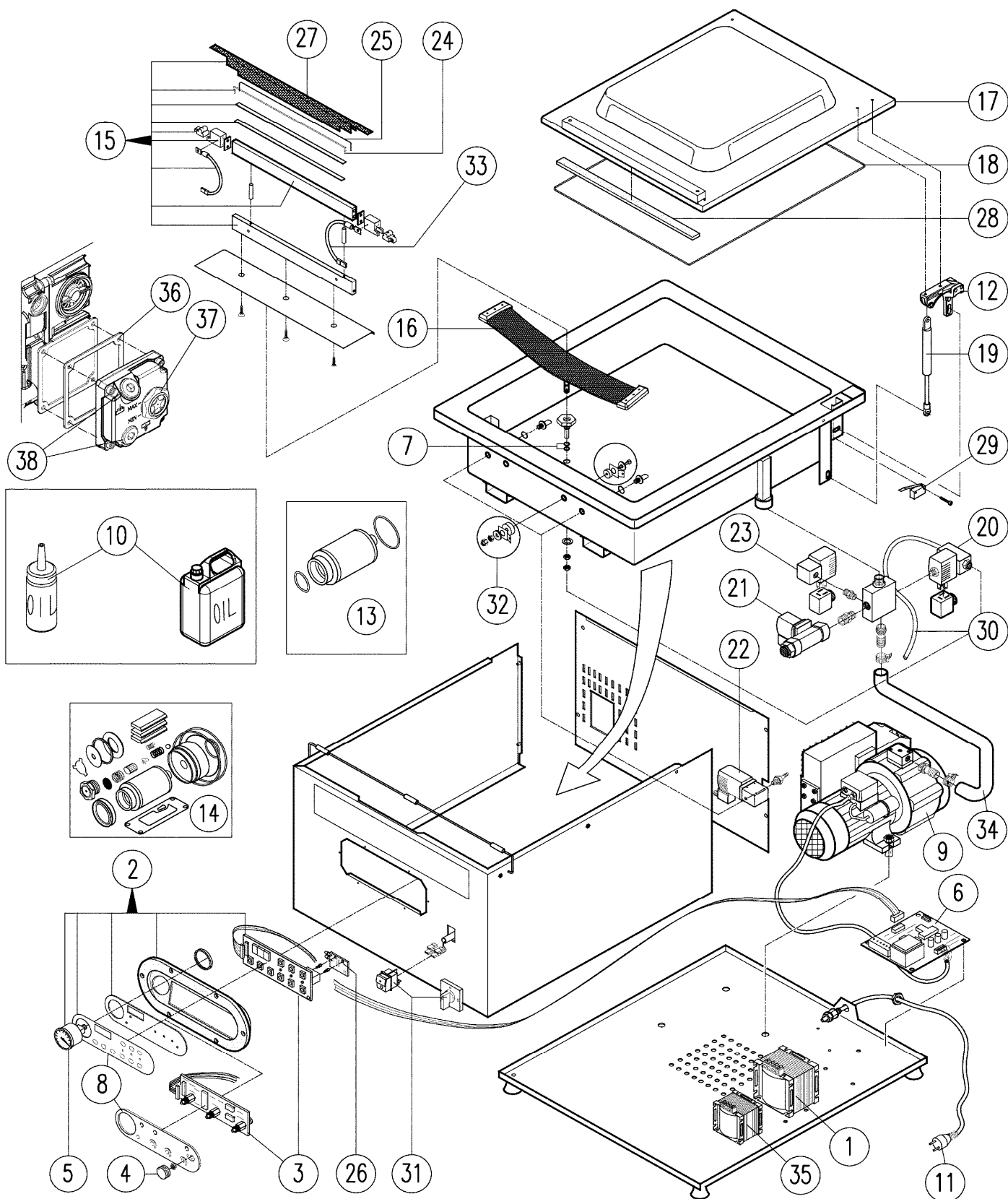


SPARE PARTS LIST

SPARE PARTS LIST VM53					
No. Part	Code Part	Description	Validity start date	Validity end date	Notes
1	1602655	TRANSFORMER 500VA 220-380/12-18V	01/01/1900	31/12/2099	230V 2BL NORM.
1	1602655	TRANSFORMER 500VA 220-380/12-18V	01/01/1900	31/12/2099	400V
2	1602443	COMPLETE CONTROL PANEL (PB+T23) B013.3	03/01/1900	31/12/2099	B013
3	1601999	POTENTIOMETER BOARD B013.3 MC - PB+T23	03/01/1900	31/12/2099	B013
4	1602442	CONTROL KNOBS (4 PC/PCS)	03/01/1900	31/12/2099	B013
5	1603378	VACUUM GAUGE D=50MM	03/01/1900	31/12/2099	
6	1601834	POWER BOARD H102_2 - 230V MC	03/01/1900	31/12/2099	230V
6	1601837	POWER BOARD PJ029 400V MC	03/01/1900	31/12/2099	400V
7	1604043	O-R FOR COUPLING NOZZLE (10 PCS)	03/01/1900	31/12/2099	
8	1602441	ORVED CONTROLS STICKER B013.3	03/01/1900	31/12/2099	B013
9	1604114	VACUUM PUMP LC 25 230V 50/60HZ	03/01/1900	31/12/2099	230V
9	1601644	VACUUM PUMP LC 25 400V 50/60HZ	03/01/1900	31/12/2099	400V
10	1601839	PUMP OIL ORV60 1,5L	03/01/1900	31/12/2099	
10	1601038	PUMP OIL ORV60 10L	03/01/1900	31/12/2099	
11	1603293	POWER CABLE 3X1,5X3000 SHUKO EUR	03/01/1900	31/12/2099	230V
11	1603676	POWER CABLE 3PH+PE 4X1,5 MMQ CEE	03/01/1900	31/12/2099	400V
12	1603679	HINGES (L+R)	03/01/1900	31/12/2099	
13	1601050	KIT MINOR LB18/LC20- LB25/LA20 (K1000038) (EXHAUST FILTER)	01/01/1900	31/12/2099	LB25
13	1601614	REPAIR KIT MINOR FOR PUMP LC25 (K1000040) (EXHAUST FILTER)	03/01/1900	31/12/2099	LC25
14	1600522	MAJOR KIT FOR VACUUM PUMP LB25 (K9601049/1)	01/01/1900	31/12/2099	LB25
14	1601554	REPAIR KIT MAJOR FOR VACUUM PUMP LC25 (K1000041)	03/01/1900	31/12/2099	LC25
15	1600814	COMPLETE SEALING BAR 540X32X15 VM53/FC460 1BL/2BL	01/01/1900	31/12/2099	2BL NORM.
16	1603262	SEALBAG L=430mm	01/01/1900	31/12/2099	2BL
17	1601814	LID (4 HOLES) VM53/FC460 2BL/2BC (NO-STD)	01/01/1900	02/11/2011	2BL (NO STD)
17	1602752	LID (4 HOLES) VM53/FC460 2BL/2BC (STD)	03/11/2011	31/12/2099	2BL (STD)
18	1604413	BLACK SILICONE COVER SEAL D=8MM VM18/VM53/SV41 (3 MT)	01/01/1900	02/11/2011	
18	1604393	BLACK COVER SEAL MC-STD (4 MT)	03/11/2011	31/12/2099	
19	1602564	GAS PRESSURE SPRINGS (2 PCS) 198.255.26	03/01/1900	31/12/2099	
20	1603355	3 WAYS SEALBAG SOLENOID VALVE 1/8"FF D=2,5 FKM 24V-DC	01/01/1900	31/12/2099	2BL
21	1603360	DEVACUMATE SOLENOID VALVE 1/2"FF D=13 24V-DC VM18-18N-53-53N/SV41-	03/01/1900	31/12/2099	
22	1603356	GASFLUSH SOLENOID VALVE 2VIE 1/8"FF D3 FKM 24V-DCGAS/SOFTAIR	03/01/1900	31/12/2099	GAS
23	1603356	GASFLUSH SOLENOID VALVE 2VIE 1/8"FF D3 FKM 24V-DCGAS/SOFTAIR	03/01/1900	31/12/2099	SOFTAIR
24	1603265	ROUNDED SEALING WIRE 5x0.3 (1 MT)	03/01/1900	31/12/2099	NORM.
26	1603278	PRESSURE TRANSDUCER MODULE B063.0	03/01/1900	31/12/2099	
27	1604427	HAVANA TEFLON BAND L=65MM (1 MT) IDEA/ MC/NEW/V.2010/400G-DG/VM98/F420/C-SERIES	03/01/1900	31/12/2099	
28	1602597	SILICONE RUBBER 22X8X520 (1 PC/PCS)	03/01/1900	31/12/2099	2BL
29	1603449	SWITCH CONTACT MC	03/01/1900	31/12/2099	
30	1604388	HOSE D=8X6 (2MT)	03/01/1900	31/12/2099	
31	1604071	MAIN SWITCH 20A	03/01/1900	31/12/2099	230V
31	1603243	MAIN SWITCH 20A 3-PH	03/01/1900	31/12/2099	400V
32	1601095	CHAMBER CONTACT KIT MC	03/01/1900	31/12/2099	
33	1602513	SEALING BAR CONNECTION WIRE (2 PCS) ASF-4	03/01/1900	31/12/2099	
34	1604375	ARMORVIN HOSE D=16 (1 MT)	01/01/1900	31/12/2099	
35	1604632	TRANSFORMER 200VA 0-230-400/0-22V	01/01/1900	31/12/2099	400V
36	1604512	TANK GASKET PUMP LB25/LC25/LC60/LB60/LC106 (1 PCS)	01/01/1900	31/12/2099	
37	1601611	OIL SIGHT (1105004)	01/01/1900	31/12/2099	
38	1604489	PUMP OIL REFILL SCREW 1/2" (2 PCS.)	01/01/1900	31/12/2099	

SPARE PARTS LIST



VM53
1910