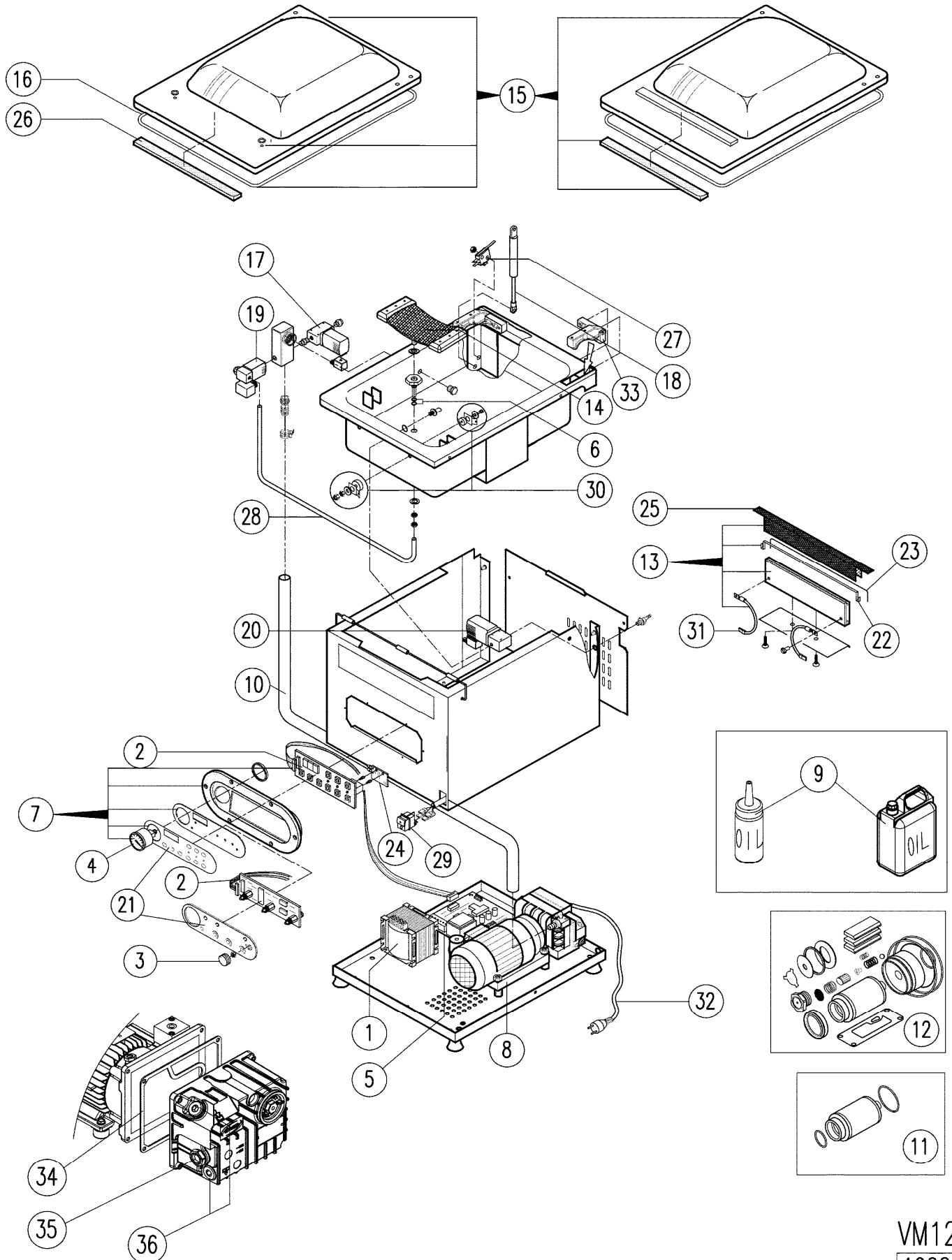


SPARE PARTS LIST

SPARE PARTS LIST VM12					
No. Part	Code Part	Description	Validity start date	Validity end date	Notes
1	1603279	TRANSFORMER 200VA 220/10-12V	03/01/1900	31/12/2099	230V
2	1601999	POTENTIOMETER BOARD B013.3 MC - PB+T23	03/01/1900	31/12/2099	B013
3	1602442	CONTROL KNOBS (4 PC/PCS)	03/01/1900	31/12/2099	
4	1603378	VACUUM GAUGE D=50MM	03/01/1900	31/12/2099	
5	1601834	POWER BOARD H102_2 - 230V MC	05/01/1900	31/12/2099	230V
6	1604043	O-R FOR COUPLING NOZZLE (10 PCS)	03/01/1900	31/12/2099	
7	1602443	COMPLETE CONTROL PANEL (PB+T23) B013.3	03/01/1900	31/12/2099	B013
8	1601638	VACUUM PUMP LB 8 230V 50/60HZ	03/01/1900	31/12/2099	230V
9	1601037	PUMP OIL ORV40 10L	03/01/1900	31/12/2099	
9	1601422	PUMP OIL ORV40 250ML	03/01/1900	31/12/2099	
9	1600500	PUMP OIL ORV40 1L	03/01/1900	31/12/2099	
10	1604411	ARMORVIN HOSE D=12 (1 MT)	01/01/1900	31/12/2099	
11	1601010	REPAIR KIT MINOR FOR VACUUM PUMP LB8/LC12/LA12 (EXHAUST FILTER)	03/01/1900	31/12/2099	
12	1600832	REPAIR KIT MAJOR FOR PUMP LB8 (K1000036)	03/01/1900	31/12/2099	
13	1600649	SEALING BAR 266X65X15 VM12	03/01/1900	07/04/2011	
13	1600648	SEALING BAR 285X48X15 VM12/FC260 (STD)	08/04/2011	31/12/2099	
14	1604057	UNDER-BAR SEALBAG WITH FITTING L=225MM	03/01/1900	31/12/2099	
15	1602518	LID VM12 2B SP.18MM	03/01/1900	22/01/2012	2B
15	1601795	LID VM12 1B SP.18MM	03/01/1900	07/04/2011	1B
15	1601783	LID VM12 STD 1B SP.20MM	08/04/2011	31/12/2099	1B
15	1600783	LID VM12 STD 2B SP.20mm	23/01/2012	31/12/2099	2B
16	1604421	COVER SEAL D=6MM (2 MT)	03/01/1900	07/04/2011	
16	1604018	BLACK COVER SEAL 2 MT	08/04/2011	31/12/2099	
17	1603362	DEVACUMATE SOLENOID VALVE 1/4"FF D=4 MULT.315-N-H-EN/VM12	03/01/1900	31/12/2099	CE
18	1604073	GAS PRESSURE SPRING (1 PC) 198.220.18	03/01/1900	10/09/2012	
18	1602991	GAS PRESSURE SPRING (2PCS) 198.220.13	11/09/2012	31/12/2099	
19	1603364	SEALBAG SOLENOID VALVE 3 WAYS 1/8"FF D=2 24V-DC	03/01/1900	31/12/2099	CE
20	1604062	SOLENOID VALVE FOR GAS/SOFTAIR 1/8"FF D=2 24V	03/01/1900	31/12/2099	CE GAS
21	1602441	ORVED CONTROLS STICKER B013.3	03/01/1900	31/12/2099	B013
22	1603265	ROUNDED SEALING WIRE 5x0.3 (1 MT)	01/01/1900	31/12/2099	NORM.
22	1604701	SEALING WIRE NI-CR 3.5x0.3 (1 MT)	01/01/1900	31/12/2099	TB
22	1603265	ROUNDED SEALING WIRE 5x0.3 (1 MT)	01/01/1900	31/12/2099	DS
23	1604384	CUTTING WIRE D=1.1 NI-CR (2 MT)	01/01/1900	31/12/2099	TB
24	1603278	PRESSURE TRANSDUCER MODULE B063.0	01/01/1900	31/12/2099	
25	1604427	HAVANA TEFLON BAND L=65MM (1 MT) IDEA/ MC/NEW/V.2010/400G-DG/VM98/F420/C-SERIES	01/01/1900	31/12/2099	
26	1602592	SILICONE RUBBER (1 PC) 22X8X270	03/01/1900	31/12/2099	
27	1603449	SWITCH CONTACT MC	03/01/1900	31/12/2099	
28	1604388	HOSE D=8X6 (2MT)	01/01/1900	31/12/2099	
29	1604071	MAIN SWITCH 20A	03/01/1900	31/12/2099	
30	1601095	CHAMBER CONTACT KIT MC	03/01/1900	31/12/2099	
31	1604050	SEALING BAR CONNECTION WIRE (2 PCS)	03/01/1900	31/12/2099	CE
32	1603292	POWER CABLE 3X1X3000 SHUKO EUR	01/01/1900	31/12/2099	230V
33	1603683	HINGES (L+R)	03/01/1900	31/12/2099	
34	1604692	TANK GASKET PUMP 160X130X2 LB8/LA6 (4901040)	01/01/1900	31/12/2099	8 mc/h
35	1604013	OIL SIGHT LB8/LC12 (1105009)	01/01/1900	31/12/2099	8 mc/h
36	1604583	PUMP OIL REFILL SCREW 1/4"G+OR PUMP DVP LB8 (1110002) (2 PCS)	01/01/1900	31/12/2099	8 mc/h

SPARE PARTS LIST



VM12
1902