



Cypress Series

Chiller Cabinets

Cypress Series contains Chiller Cabinets for generic use for the preservation of food with major characteristics such as longevity, robust construction & performance.

The generic and diverse character of its products address the vast majority of the needs of the modern Foodservice Professional, while at the same time, fully aligned with the current legislation, achieving energy savings and environmental-friendly operation.





Cypress Series

Chiller Cabinets

Cypress Series Cabinets are classified for their Energy Class. They are aligned with the European Union Legislation regarding Refrigerants, achieving energy efficient and environmental-friendly operation.

For 2019, we present 4 new models operating with the Ecological Refrigerant R290, offering at least 20% savings in Energy Consumption!

Characteristics

-  70mm Door thickness and GN 2/1 opening (n/a in /SL models where the opening is smaller!) **1**

-  Evaporator protected against corrosion **2**

-  New style Condenser with low maintenance requirements (For models with R290 refrigerant) **3**

-  Forced air circulation technology **4**

-  Operating Temperature $-2^{\circ}\text{C} + 8^{\circ}\text{C}$ **5**

-  Embedded thermostat for easy operation and cleaning **6**

-  Available in 2 different depths of 868mm & 768mm **7**

-  Injected polyurethane foam insulation **8**



CEP2144



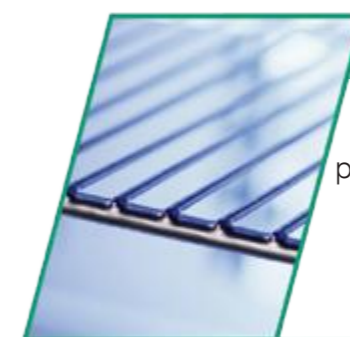
CAP172

Transformation Kits & Accessories (Available separately)



Kit Patisserie

With the use of kit patisserie, all standard depth Cabinets (/SL models excluded) can accept Euronorm trays (60cm x 40cm) for Pastry and Bakery purposes.



Stainless Steel Shelves

With the use of the hanging kit, the preservation and also freezing of large cuts of meat as well as various meat products becomes easier.



Hanging Kit

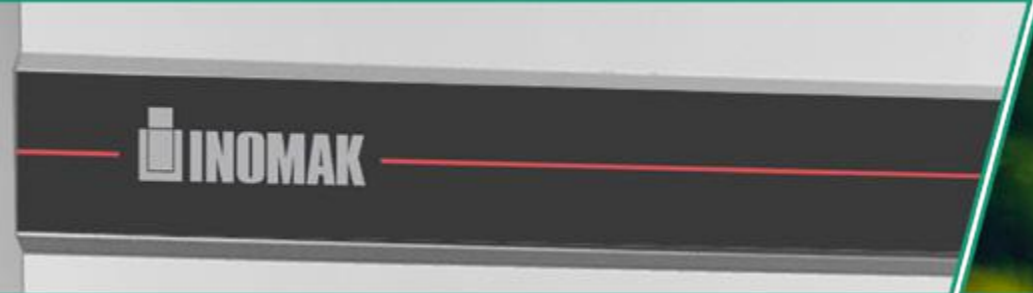
With the use of the hanging kit, the preservation and also freezing of large cuts of meat as well as various meat products becomes easier.



Shelves for Bottle Storage

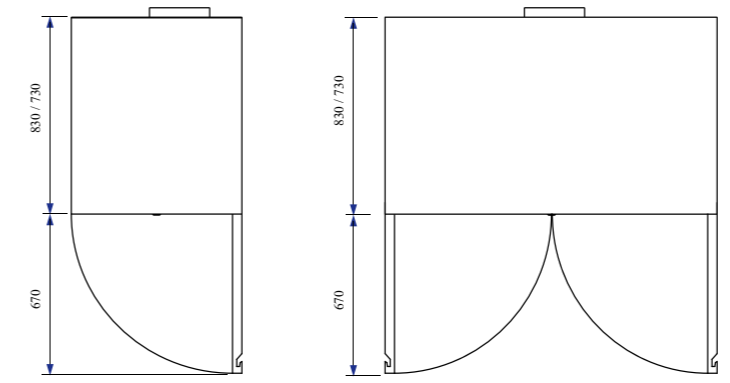
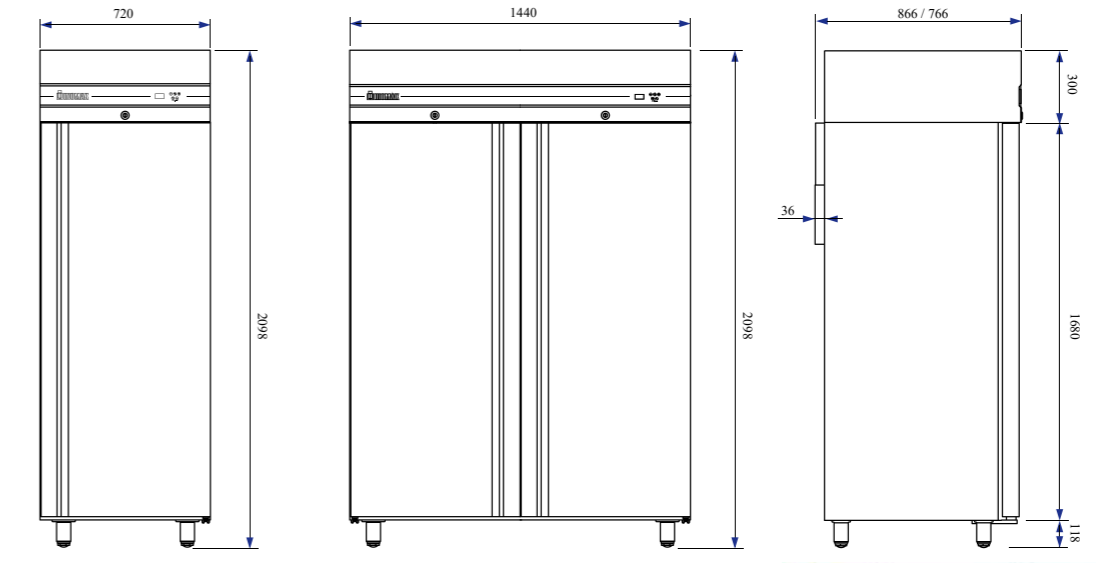
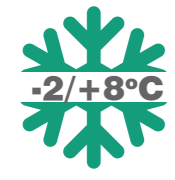
The bottle storage shelves having suitably designed wire density, are used for storing the majority of bottle shapes in the market in an upright position.





Cypress Series

Chiller Cabinets



Ideally for...

General Use Chiller Applications ✓

Small & Large Foodservice Applications ✓

Demanding Environments ✓

Model	Dimensions mm	Capacity Lt	Doors	Shelves	Operating Temperature °C	Refrigerant	Energy Class	Climate Class	Compressor
NEW CAP172	720x868x2100	654	1	3	-2 / +8	R290	D	5	Embraco
CAS172	720x868x2100	654	1	3	-2 / +8	R134a	F	5	Embraco
NEW CAP172/SL	720x768x2100	560	1	3	-2 / +8	R290	D	5	Embraco
CAS172/SL	720x768x2100	560	1	3	-2 / +8	R134a	F	5	Embraco
NEW CEP2144	1440x868x2100	1432	2	6	-2 / +8	R290	E	5	Embraco
CES2144	1440x868x2100	1432	2	6	-2 / +8	R134a	F	5	Embraco
NEW CEP2144/SL	1440x768x2100	1227	2	6	-2 / +8	R290	E	5	Embraco
CES2144/SL	1440x768x2100	1227	2	6	-2 / +8	R134a	F	5	Embraco

Cypress Series: Diversity, longevity, performance, safety

Energy classification!

