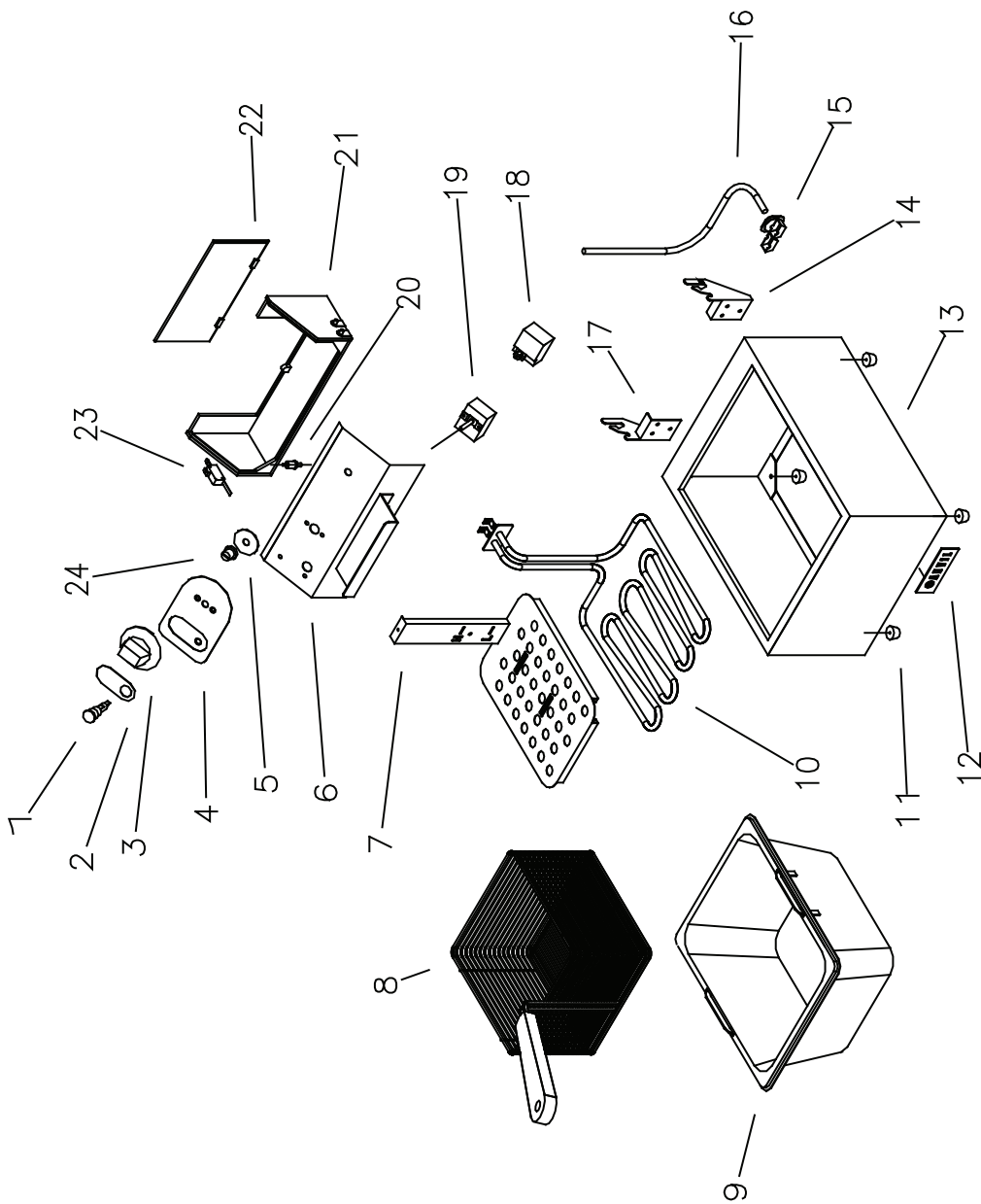


Single Deep Fat Fryer - CE Approved Model Code - FFA2001-230



SINGLE DEEP FAT FRYER - CE APPROVED

MODEL CODE : FFA2001-230

Part No.	SCE Part No.	Description
1	1-PL-GP	PILOT LIGHT
2	4-ANVIL-CP-IN-1	CONTROL PANEL INSERT
3	3-KNOB-FF	KNOB 60 - 200C
4	3-CP-ANVIL	CONTROL PANEL FACIA
5	4-SAFETY-FACIA	SAFETY CUT OUT FACIA
6		STAINLESS STEEL ELEMENT BOX
7		STAINLESS STEEL ELEMENT COVER
8	FFB2250	FAT FRYER BASKET
9	FFI0150	FAT FRYER INSERT
10	5-2500W-FF	ELEMENT
11	3-S-RDS	SMALL RUBBER FEET
12	4-ANVIL-LOGO	ANVIL BADGE
13		STAINLESS STEEL BODY
14	8-FF-HINGE-L	LEFT HINGE
15	3-CG-1.5	CABLE GRIP
16	2-PC-CE-DR	POWER CORD
17	8-FF-HINGE-R	RIGHT HINGE
18	1-THERMO-FF-SAF	SAFETY CUT OUT THERMOSTAT
19	1-THERMO-FF-UL	FAT FRYER THERMOSTAT
20	3-MS-FFA0001	MICROSWITCH PLUNGER
21	3-FF-ELEMENTBOX	FAT FRYER ELEMENT BOX
22	3-FF-BACKPLATE	FAT FRYER ELEMENT BOX BACKPLATE
23	1-FF-MICROSWITCH	MICROSWITCH
24	3-FF-SAF-CAP	SAFETY CUT OUT CAP